

Simple Rotating Three-Phase

Features

USAGE:

Famous as direct starter switch, in which the line voltage of the power supply is directly applied to the motor terminals at once. They are used for on and off commands for motors ou any other three-phase voltage equipment. Since this is a rotary switch the internal contacts feature more durability. They are produced for 4HP motors with 25A nominal input.

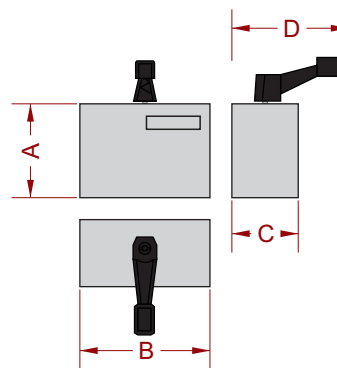
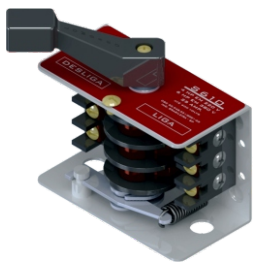
APPLICATION:

Water pumps, construction industry machinery, counters for meatpackers, sawmills, coffee mills and agricultural machinery..



Technical Specifications

SIMPLE ROTATING THREE-PHASE OF OVERLAP										
REF.	TYPE	CV / HP			AMP	DIMENSIONS (mm)				
		220V	380V	440V		A	B	C	D	E
610	S	4	6	7,5	25	106	100	52	90	-



Connection Procedure

