

Single-Phase With Protection

Features

USAGE:

Used for on and off commands of single-phase motors. These electric switchers have a circuit breaker for protecting the motors when they are working. At boot time the circuit breaker is out of circuit to guarantee it will not turn off.

The circuit breaker is a mechanical switchgear and a protection device able to stabilish, conduct and interrupt electrical currentes in normal conditions of the circuit, as well as stabilish, conduct for specific time period and interrupt the electrical current in unusual conditions.

APPLICATION:

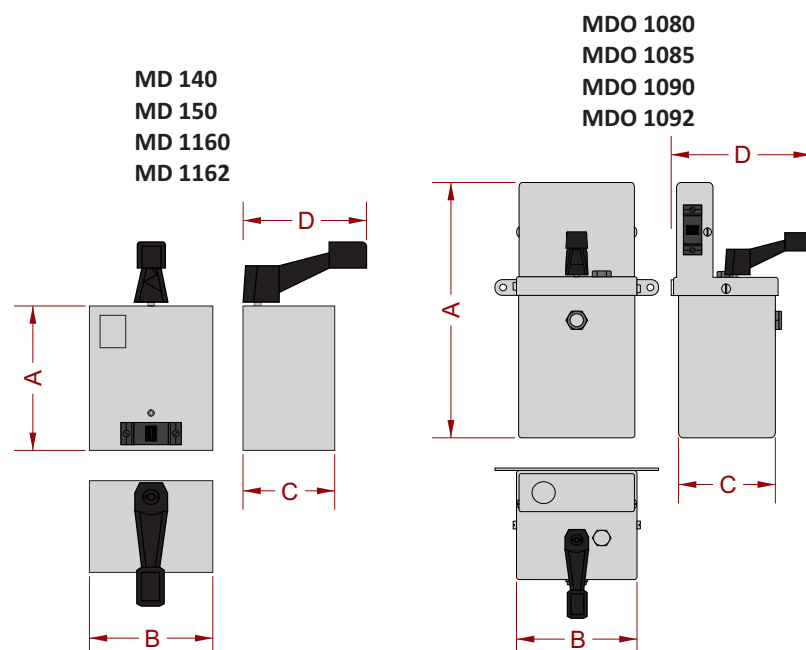
Water pumps, construction industry machinery, counters for meatpackers, sawmills, coffee mills and agricultural machinery.



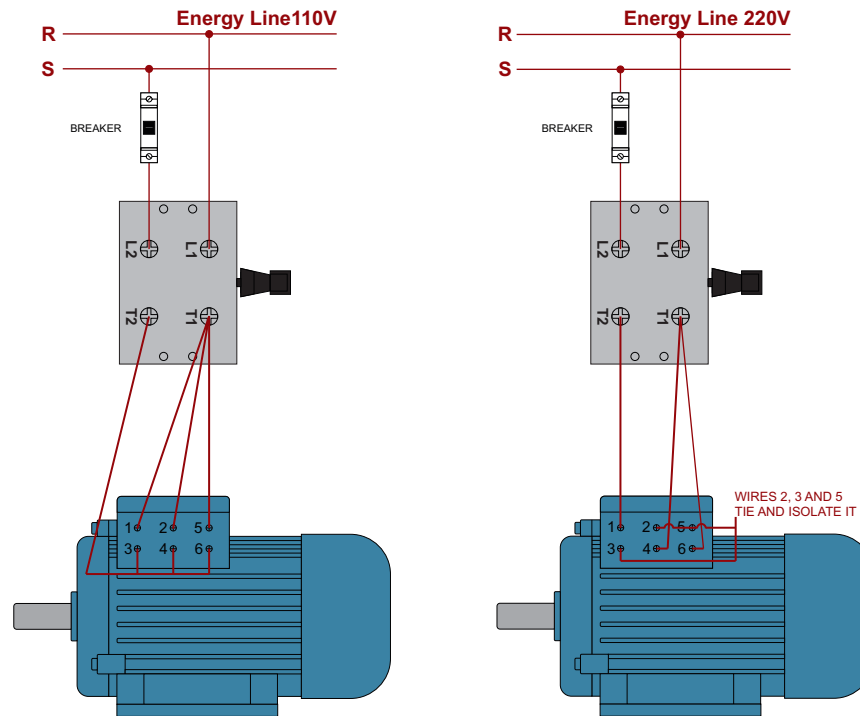
Technical Specifications

| SINGLE-PHASE WITH PROTECTION OF OVERLAP | | | | | | | | | | |
|---|------|---------|------|------|-----|-----------------|-----|----|-----|---|
| REF. | TYPE | CV / HP | | | AMP | DIMENSIONS (mm) | | | | |
| | | 220V | 380V | 440V | | A | B | C | D | E |
| 140 | MD | 5 | - | 10 | 30 | 210 | 127 | 98 | 127 | 0 |
| 150 | MD | 7,5 | - | 15 | 40 | 210 | 127 | 98 | 127 | 0 |
| 1160 | MD | 10 | - | 20 | 50 | 210 | 127 | 98 | 127 | 0 |
| 1162 | MD | 12,5 | - | 25 | 60 | 210 | 127 | 98 | 127 | 0 |

| SINGLE-PHASE WITH PROTECTION OIL | | | | | | | | | | |
|----------------------------------|------|---------|------|------|-----|-----------------|-----|-----|-----|---|
| REF. | TYPE | CV / HP | | | AMP | DIMENSIONS (mm) | | | | |
| | | 220V | 380V | 440V | | A | B | C | D | E |
| 1080 | MDO | 5 | - | 10 | 30 | 286 | 142 | 135 | 166 | 0 |
| 1085 | MDO | 7,5 | - | 15 | 40 | 286 | 142 | 135 | 166 | 0 |
| 1090 | MDO | 10 | - | 20 | 50 | 286 | 142 | 135 | 166 | 0 |
| 1092 | MDO | 12,5 | - | 25 | 60 | 286 | 142 | 135 | 166 | 0 |



Connection Procedure



- To perform the reversal of the rotation direction is necessary to invert the motor 5 wire for motor 6 wire.
- The single-phase motors don't offer direct reversion.