

Phase Switch

Features

USAGE:

They are used for the control of two motors or any other electrical equipment separately, ie never both at the same time. They are also known as "one input and two output keys" or "two input and one output keys".

This type of key is normally used where simultaneous operation of the two motors or any other equipment should not occur. For example, we can enter the switch with the utility line and a line from a generator to power equipment in general, simply by the utility failing to drive the generator and change the position of the switch handle so that the system is powered by the generator.

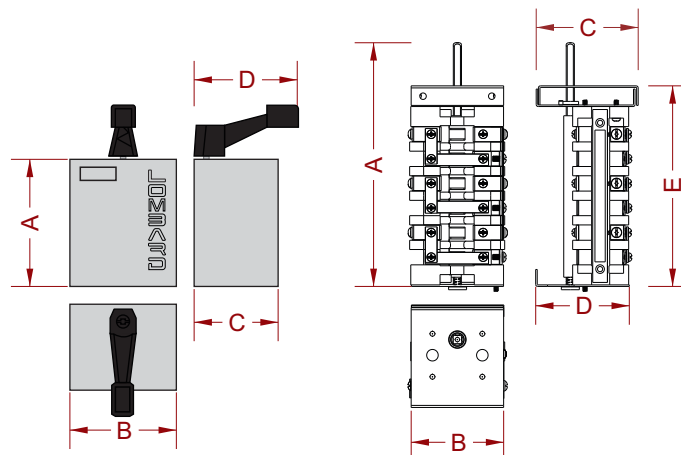
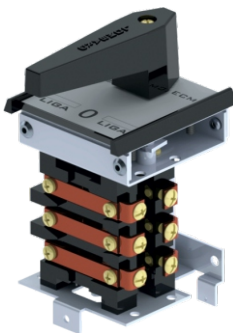
APPLICATION:

All situations in which an electric switch turns on / off 2 motors, but always one at a time, that is, when one motor is started, the other is necessarily turned off.

Technical Specifications

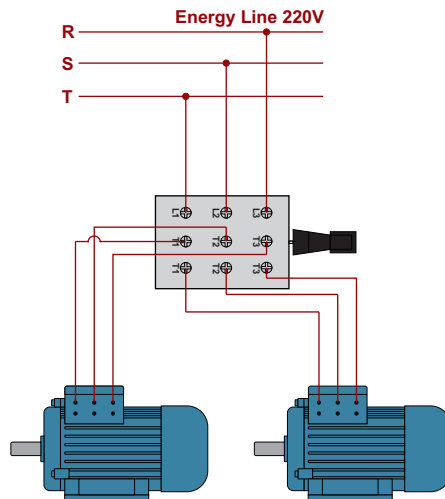
PHASE SWITCH OF OVERLAP										
REF.	TYPE	CV / HP			AMP	DIMENSIONS (mm)				
		220V	380V	440V		A	B	C	D	E
8400	CM	2	3	4	15	163	96	80	100	-
8410	CM	5	7,5	10	30	163	96	80	100	-
8420	CM	7,5	12,5	15	45	215	99	78	100	-
8430	CM	10	15	20	60	235	102	83	103	-
8440	CM	15	25	30	80	275	135	110	141	-
8450	CM	20	30	40	100	275	135	110	141	-
8460	CM	25	--	--	120	315	218	124	186	-

PHASE SWITCH OF EMBED										
REF.	TYPE	CV / HP			AMP	DIMENSIONS (mm)				
		220V	380V	440V		A	B	C	D	E
8010	ECM	2	3	4	15	141	75	62	73	101
8030	ECM	5	7,5	10	30	141	75	62	73	101
8040	ECM	7,5	12,5	15	45	194	75	62	73	155
8050	ECM	10	15	20	52	213	80	70	77	171
8060	ECM	15	25	30	80	213	80	70	77	171
8070	ECM	20	30	40	100	248	90	91	97	205



Connection Procedure

CONNECTION WITH 2 MOTORS



CONNECTION WITH 1 MOTOR AND 1 GENERATOR

