

Simple Three-Phase

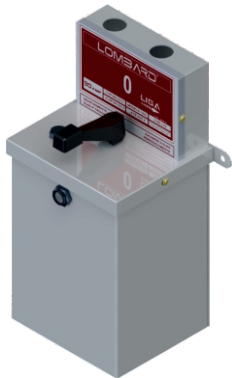
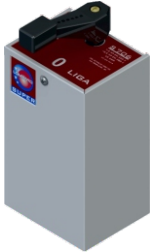
Features

USAGE:

Famous as direct starter switch, in which the line voltage of the power supply is directly applied to the motor terminals at once. They are used for on and off commands for motors or any other three-phase voltage equipment.

APPLICATION

Water pumps, construction industry machinery, counters for meatpackers, sawmills, coffee mills and agricultural machinery.

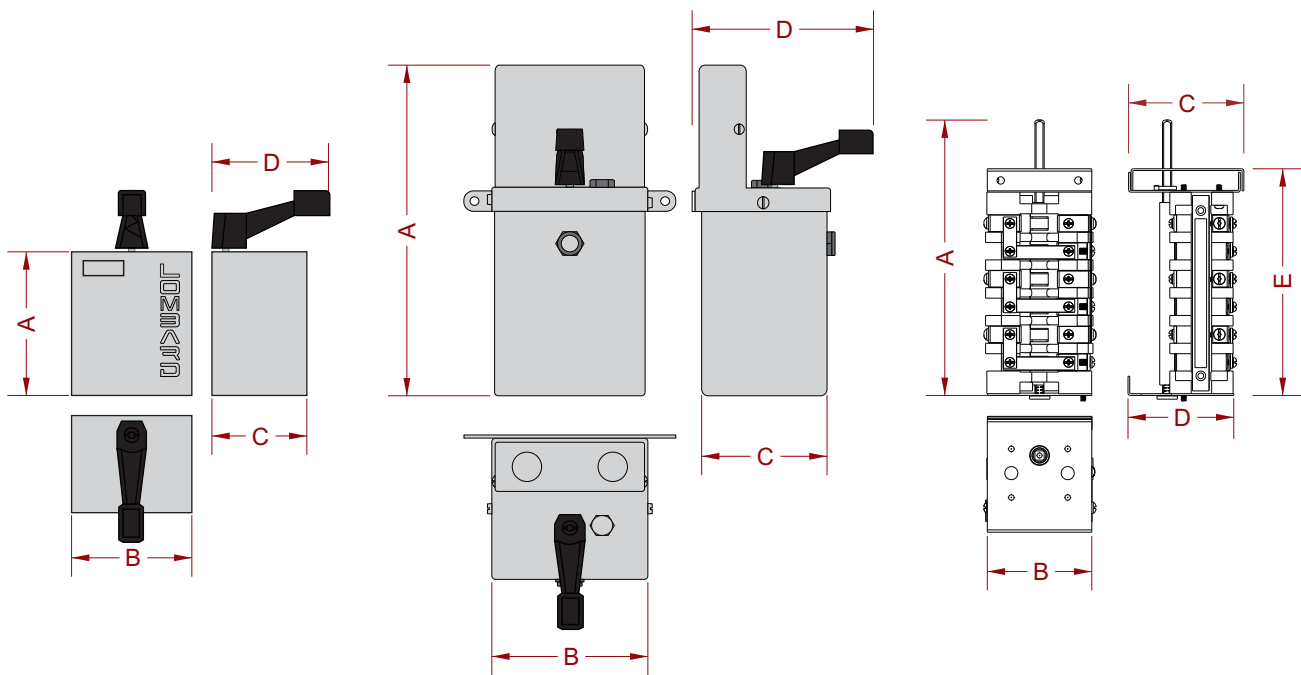


Technical Specifications

SIMPLE THREE-PHASE VOLTAGE OF OVERLAP										
REF.	TIPO	CV / HP			AMP	DIMENSIONS (mm)				
		220V	380V	440V		A	B	C	D	E
3	S	2	3	4	15	163	96	80	100	-
4	S	3	5	6	20	163	96	80	100	-
5	S	5	7,5	31	30	163	96	80	100	-
706	S	7,5	12,5	15	45	215	99	78	100	-
7	S	10	15	20	60	235	102	83	103	-
708	S	15	25	30	90	275	135	110	141	-

SIMPLE THREE-PHASE VOLTAGE OIL										
REF.	TIPO	CV / HP			AMP	DIMENSIONS (mm)				
		220V	380V	440V		A	B	C	D	E
1240	SO	7,5	12,5	15	45	250	142	135	166	-
29	SO	10	15	20	60	270	142	135	166	-
1260	SO	15	25	30	90	353	171	150	175	-

SIMPLE THREE-PHASE VOLTAGE EMBED										
REF.	TIPO	CV / HP			AMP	DIMENSIONS (mm)				
		220V	380V	440V		A	B	C	D	E
4020	EBS	2	3	4	15	141	75	62	73	101
4030	EBS	3	5	6	20	141	75	62	73	101
4040	EBS	5	7,5	31	30	141	75	62	73	101
4050	EBS	7,5	12,5	15	45	194	75	63	73	155
4060	EBS	10	15	20	60	213	80	70	77	171
4070	EBS	15	25	30	90	248	90	91	97	205



Connection Procedure

