

Basic Single-Phase

Features

USAGE:

Famous as starter switch, in which the line voltage of the power supply is directly applied to the motor terminals, speeding the charge fastly and at once. They are used for on and off commands for motors ou any other single-phase engine.

APPLICATION:

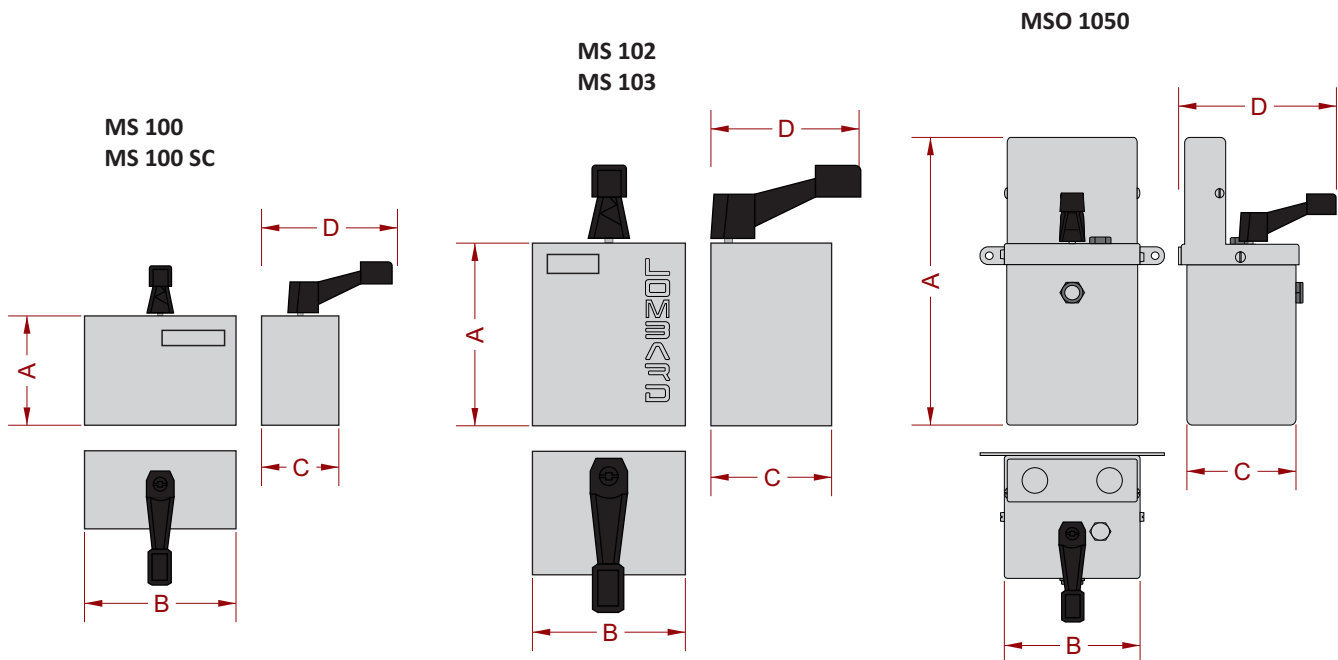
Water pumps, construction industry machinery, counters for meatpackers, sawmills, coffee mills and agricultural machinery.

Obs.: The 100SC switch is destined to the specific use in machinery used for the tobacco industrialization.

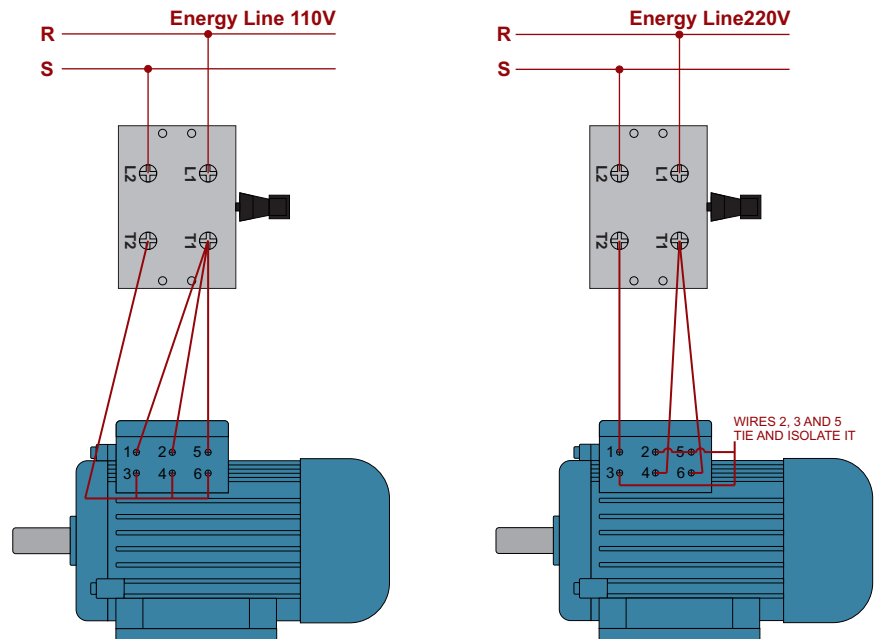
Technical Specifications

BASIC SINGLE-PHASE OF OVERLAP										
REF.	TYPE	CV / HP			AMP	DIMENSIONS (mm)				
		220V	380V	440V		A	B	C	D	E
100 SC	MS	3	-	5	25	108	98	52	90	0
100	MS	3	-	5	25	108	98	52	90	0
102	MS	7	-	12,5	45	180	99	87	105	0
103	MS	10	-	15	60	203	99	78	100	0

MONOFÁSICA SIMPLES A ÓLEO										
REF.	TIPO	CV / HP			AMP	DIMENSÕES (mm)				
		220V	380V	440V		A	B	C	D	E
1050	MSO	10	-	15	60	250	142	135	166	-



Connection Procedure



- To perform the reversal of the rotation direction is necessary to invert the motor 5 wire for motor 6 wire.
- The single-phase motors don't offer direct reversion.